

# 100 不锈钢多接点压力表

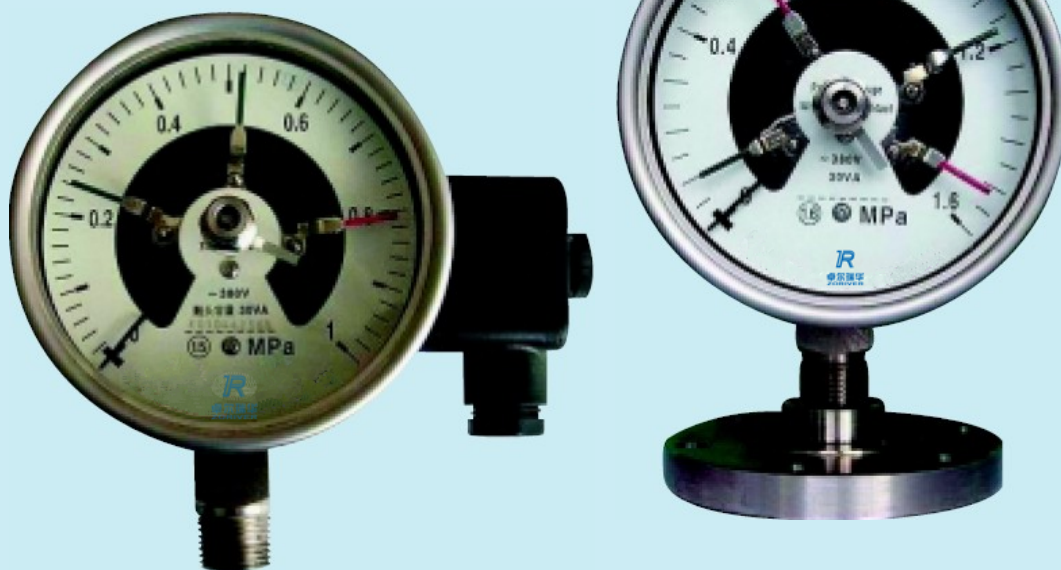
# PXDH/PXDHN

PXC-100H Stainless Steel contact pressure gauge  
(many contacts style)

型号标示 Model remark

标准型 Standard style: PXDH-100 (PXC-100H)

耐震型 Vibration-proof style: PXDHN-100 (PXCN-100H)



## 产品简介

PXDH-100 不锈钢电接点压力表采用弹簧管作为测压敏感元件,主要用于测量具有腐蚀性环境或测量介质具有腐蚀性的气体及液体压力,并通过仪表指针的触点与设定指针的触点相接通(断开)控制系统中电路的开关,以达到自动控制和发报警信号的目的。

本仪表可安装 3 个或 4 个接点,其开关点的位置可通过表玻璃上的调节旋钮设定。

本仪表可与各类膜片隔离器相连接,制成隔膜电接点压力表,用于测量腐蚀性强、粘度大、易结晶介质的压力。

## PRODUCT OVERVIEW

PXDH-100 Stainless Steel Electric contact pressure gauge adopts Bourdon tube as pressure element, mainly apply to the corrosion environment or measuring the pressure of the corrosion gas and liquid. The pointer of instrument will make contacts turn on or cut with the contacts of set finger, causing the cut and turn-on of control system for the purpose of automatic control and alarm.

The pressure gauge could be installed 3 or 4 contacts, and the switch point could be set using the adjustable button on the window.

The pressure gauge could combine with many kind of diaphragms to crank out diaphragm electric contact pressure gauge which is fit to measure the pressure of corrosive, viscous and crystallographic medium.

## 主要技术参数

仪表类型	普通型、耐震型（充油）
指示仪表直径	100mm；
指示精度	± 1.5%、± 2.5%；
设定精度	± 4%；
测量范围	正压： 0-0.4MPa .....0-60MPa； 及任何相关正负压联程；
接点形式	3 个或 4 个接点；
接点材质	110V 银镍合金， 36V 黄金
最高工作电压	380V · AC 或 220V · DC；
最大电流	1A；
触点功率	30VA；
仪表内机	SUS316；
外壳材料	SUS304；
仪表玻璃	有机玻璃、安全型双层玻璃；
电接口	M20 × 1.5，6+PE（接地）端， 径向安装在仪表右侧，轴向安装在仪 表背后；
外壳防护等级	普通型：IP54， 耐震型：IP65；
环境温度	普通型：-40 ~ +70 ； 耐震型：-20 ~ +60 ；
耐震型填充液	仪表专用填充液；
连接尺寸	螺纹连接 M20 × 1.5、或约定的特殊 要求； 法兰连接（按相关标准或约定的特殊 要求）。

## Specifications

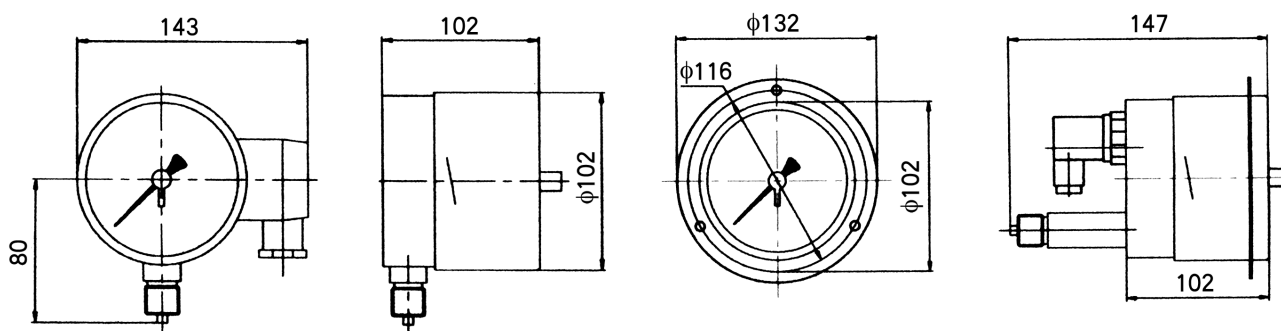
Type:	Standard type, vibration-proof type (oil filled)
Diameter:	100mm
Accuracy:	100mm, ± 1.5%, ± 2.5%
Set accuracy:	± 4%;
Range:	Plus pressure 0-0.4Mpa to 0-60Mpa and other combine ranges
Contact points:	3 or 4
Maximum working voltage:	380V.AC or 220 V.AC
Maximum current:	1A
Contact power:	30VA
Movement:	SUS316
Case material:	SUS304
Windows:	Organic glass, Safety glass (double deck)
Electric connection:	M20 × 1.5, 6+PE (contact the earth) Bottom connection, on the right side of the gauge Back connection, at the back of the gauge
Case protection:	Standard type: IP54 Vibration-proof: IP65
Environment temperature:	Standard type: -40-+70 Vibration-proof type: -20-+60
Liquid filling for vibration-proof style oil:	Filling liquid for special instrument
Connection size:	Thread connection M20 × 1.5, or special requirement Flanged connection (by relative standards or promised special requirement)

## 接点功能 Functions of contacts

接点代码 Code of contacts	接点功能识别编号 Code title	接点数量 Quantity	指针顺时针旋转开关功能 rotating switch function of deasil pointer	示意图 Sketchmap
112 = 下下上限 down down up limits	821.221	3	超过设定点时, 接点 1 断开电路 接点 2 断开电路 接点 3 接通电路 over the setpoint, contact 1 cuts contact 2 cuts, contact 3 turns on	
121 = 下上下限 down down up limits	821.212		超过设定点时, 接点 1 断开电路 接点 2 接通电路 接点 3 断开电路 over the setpoint, contact 1 cuts contact 2 turns on, contact 3 cuts	
2222 = 四上限 four up limits	821.1111	4	超过设定点时, 接点 1 接通电路 接点 2 接通电路 接点 3 接通电路 接点 4 接通电路 contact 1 turns on contact 2 turns on, contact 3 turns on contact 4 turns on	
1212 = 下上下上限 down up down up limits	821.2121		超过设定点时, 接点 1 断开电路 接点 2 接通电路 接点 3 断开电路 接点 4 接通电路 contact 1 cuts contact 2 turns on, contact 3 cuts contact 4 turns on	

订货时: 1.请给出接点名称及型号。2.如所需要接点功能表中未列出, 请在订货时详细说明。  
when ordering:1.supple with name and model of contacts. 2.specify the resuest if it is not involed in the table.

## 外形尺寸 DIMENTIONS



注: 当指针逆时针转动时, 实现相反的开关功能。

对于四接点仪表, 由于设计原因, 所有四个接点不能重叠在一个设定值上, 前三个可以重叠的接点与第四个接点所成夹角 30°

Note: When anticlockwise, it performs opposite function.

For four contacts instrument, these contacts can't be overlapped on the same set value due to the design. There exists over 30° between former 3 contacts and the fourth contact.

如何选型 HOW TO ORDER

	型号代码 Code	特性说明 Introduction					
Basic type 基本型号	PBX	(标准型) 微压膜片电接点压力表 (Standard style) Diaphragm low pressure electric contacts pressure gauge					
	PBXN	(耐震型) 微压膜片电接点压力表 (Vibration-proof style) Diaphragm low pressure electric contacts pressure gauge					
	PXDH	(标准型) 多接点式电接点压力表 (Standard style) Electric contact pressure gauge (many contacts style)					
	PXDHN	(耐震型) 多接点式电接点压力表 (Vibration-proof style) Electric contact pressure gauge (many contacts style)					
Diameter 外径	100	100mm					
	150	150mm					
	160	160mm					
Mounting 安装方式	AO	径向直接安装 Lower connection, direct					
	AH	径向后背板安装 Lower, back board connection					
	ZO	中轴向直接安装 Back connection direct					
	BO	下轴向直接安装 Lower back connection, direct					
	BT	下轴向嵌装 Lower back connection, embedded					
Type 接点类型	2	单上眼	21	单上眼	112	下下上限	
	1	单下眼	12	常开上下限	121	下上下限	
	22	双上限	21	常闭上下限	222	四上限	
	11	双下眼			1212	下上下上限	
Ranges 量程	M120	1MPa (其它规格详见量程代码表 other specification please see code table)					
Connection 连接螺纹	M14	M14x1.5	Z14	NPT1/4			
	M20	M20x1.5	G38	G3/8			
	G12	G1/2	R38	ZG3/8			
	Z12	NPT1/2	Z38	NPT3/8			
Options 备选项	GKB	抛光处理 polishing	TPB	特殊仪表盘面 special dial			
	PHD	缓冲螺钉 buffer bolt	SBD	安全双层玻璃 safe double deck glasses			
	SKA	碳钢外壳 carbon-steel case	SBB	有机玻璃 organic glasses			
	SKB	SUS304 外壳 case	GHB	不锈钢管银焊 stainless steel tube silver welding			
	BDA	1级精度 accuracy 1 class	FWP	加不锈钢位号牌 stainless steel tag			
	SHJ	黄金接点					

量程范围规格代码表 TABLE OF RANGES

选型代码 code	量程规格 ranges	选型代码 code	量程规格 ranges	选型代码 code	量程规格 ranges
M500	-0.1~0 MPa	M010	0.06MPa	M160	2.5 MPa
M510	-0.1~0.06MPa	M030	0.1 MPa	M180	4.0 MPa
M520	-0.1~0.15MPa	M040	0.16 MPa	M200	6.0 MPa
M530	-0.1~0.3MPa	M060	0.25 MPa	M220	10 MPa
M540	-0.1~0.5MPa	M080	0.4 MPa	M230	16 MPa
M550	-0.1~0.9MPa	M100	0.6 MPa	M240	25 MPa
M560	-0.1~1.5MPa	M120	1.0 MPa	M270	40 MPa
M570	-0.1~2.4MPa	M140	1.6 MPa	M280	60 MPa
K060	4KPa	K100	15KPa	K150	40KPa
K080	6KPa	K110	16KPa	K170	60KPa
K090	10KPa	K130	25KPa	K180	100KPa